

负温度系数(NTC)热敏电阻器

Negative Temperature Coefficient (NTC) Thermistor

MF75超大功率型NTC热敏电阻器系列

MF75 Series NTC Thermistor for Super High-Power Inrush Current Limiting

● 应用范围 Applications

- 核磁共振设备、大功率专业音频功放机、大功率环形变压器
- 大容量功率逆变器的太阳能电池板阵列
- 高压电源驱动的工业机器人
- Magnetic Resonance Imaging (MRI) equipment, high-power professional audio amplifiers, high-power toroidal transformers.
- Large-capacity power inverters for solar panel arrays.
- Industrial robots driven by high-voltage power supplies.

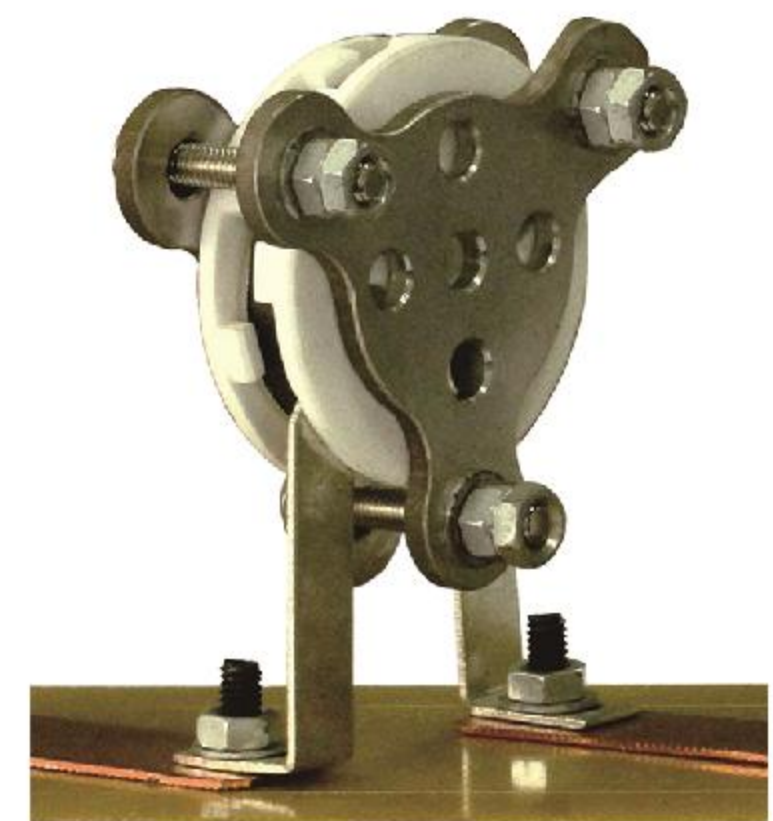
● 特点

- 无覆盖芯片的封装料
- 高散热性独家专利结构
- 抑制浪涌电流能力强
- 可在稳态大电流下持续工作
- 工作温度范围宽，可在较高的温度下正常工作

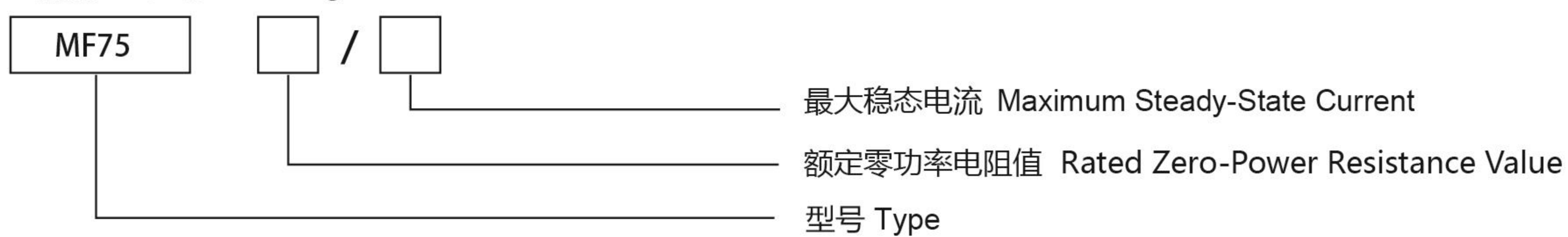
● Features

- Bare disk.
- High thermal conductivity with exclusive patented structure.
- Strong surge current suppression capability.
- Capable of continuous operation under steady-state high current.
- Wide operating temperature range, capable of functioning normally at higher temperatures.

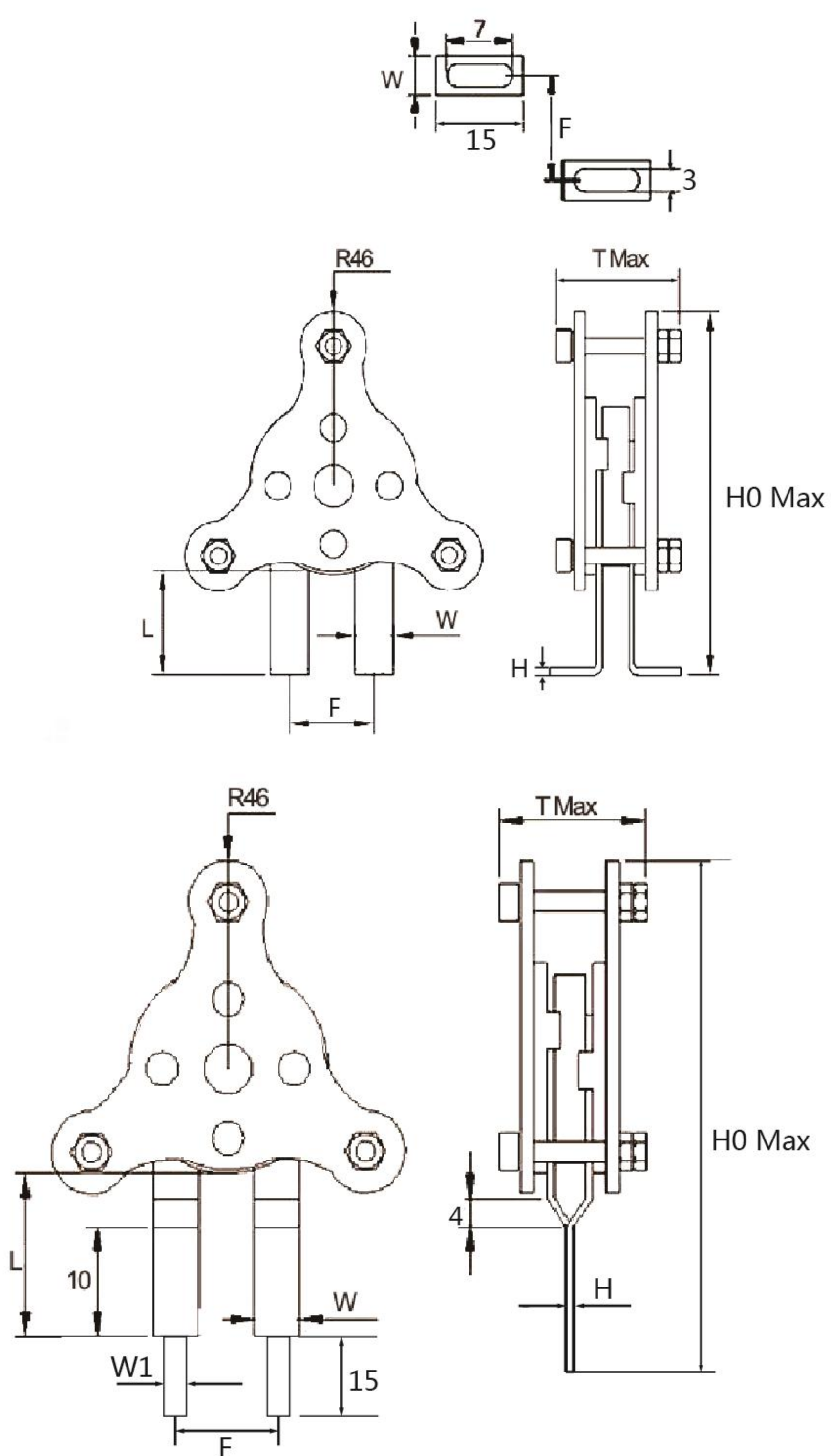
专利号: ZL201620516869.6
Patent No.: ZL201620516869.6



● 产品标志说明 Marking Instruction



● 外形尺寸 Dimensions (mm)



尺寸 Dim. (mm)	代号 Code	尺寸 (mm)					
		H0 max	L±2	W±0.2	F±1.5	Tmax	H±0.1
本体直径 Body diameter (mm)							
Φ40		110	40	12	30	46	1.2
Φ45		110	40	12	30	46	1.2
Φ50		110	40	12	30	46	1.2

尺寸 Dim. (mm)	代号 Code	尺寸 (mm)						
		H0 max	L±2	W±0.2	W1±0.2	F±1.5	Tmax	H±0.1
本体直径 Body diameter (mm)								
Φ40		110	40	12	8	30	46	1.2
Φ45		110	40	12	8	30	46	1.2
Φ50		110	40	12	8	30	46	1.2

MF75 超大功率型NTC热敏电阻器系列

MF75 Series NTC Thermistor for Super High-Power Inrush Current Limiting

● 主要技术参数 Main Technical Specifications

工作温度 Operating Temperature (°C): -55~+250°C

型号 Part No.	R ₂₅ ±20% (Ω)	B _{25/50} ±10%	25°C时最大稳态电流 Max. Steady-state Current at 25°C	最大电流时近似电阻值 Approx. Resistance at Max. Current	25°C时最大额定功耗 Max. Power Rating at 25°C	最大冲击电容量 Max. Capacitance at 240 VAC	
		(K)	I _{max} (A)	R _{imax} (Ω)	P _{max} (W)	(μF)	
本体直径 Body diameter: Φ40mm							
MF75 0.2/55	0.2	2600	55	0.007	30	8000	
MF75 0.5/50	0.5	2600	50	0.008		6800	
MF75 1/45	1	2600	45	0.010		6800	
MF75 1.5/40	1.5	2600	40	0.012		6800	
MF75 2/35	2	2600	35	0.014		6800	
MF75 2.5/33	2.5	2800	33	0.018		6800	
MF75 3/32	3	2800	32	0.020		6800	
MF75 4/30	4	2800	30	0.022		4700	
MF75 4.7/28	4.7	3000	28	0.023		4700	
MF75 5/27	5	3000	27	0.028		4700	
MF75 6.8/25	6.8	3000	25	0.030		4700	
MF75 8/22	8	3200	22	0.034		3300	
MF75 10/21	10	3200	21	0.038		3300	
MF75 12/20	12	3200	20	0.040		3300	
MF75 15/18	15	3200	18	0.050		3300	
MF75 18/16	18	3200	16	0.062		3300	
MF75 20/15	20	3200	15	0.075		3300	
本体直径 Body diameter: Φ45mm							
MF75 0.2/70	0.2	2600	70	0.006		42	11500
MF75 0.5/55	0.5	2600	55	0.007			8000
MF75 1/52	1	2600	52	0.009	8000		
MF75 1.5/50	1.5	2600	50	0.011	8000		
MF75 2/45	2	2600	45	0.012	8000		
MF75 2.5/40	2.5	2800	40	0.015	8000		
MF75 3/38	3	2800	38	0.018	8000		
MF75 4/36	4	2800	36	0.020	6800		
MF75 4.7/35	4.7	3000	35	0.022	6800		
MF75 5/35	5	3000	35	0.025	6800		
MF75 6.8/32	6.8	3000	32	0.028	6800		
MF75 8/30	8	3200	30	0.030	4700		
MF75 10/28	10	3200	28	0.032	4700		
MF75 12/25	12	3200	25	0.034	4700		
MF75 15/23	15	3200	23	0.042	4700		
MF75 18/20	18	3200	20	0.061	4700		
MF75 20/18	20	3200	18	0.070	4700		
本体直径 Body diameter: Φ50mm							
MF75 0.2/90	0.2	2600	90	0.004	55		15000
MF75 0.5/65	0.5	2600	65	0.006			11500
MF75 1/60	1	2600	60	0.008		11500	
MF75 1.5/55	1.5	2600	55	0.010		11500	
MF75 2/50	2	2600	50	0.011		11500	
MF75 2.5/46	2.5	2800	46	0.012		11500	
MF75 3/44	3	2800	44	0.015		11500	
MF75 4/42	4	2800	42	0.018		8000	
MF75 4.7/40	4.7	3000	40	0.021		9000	
MF75 5/40	5	3000	40	0.022		8000	
MF75 6.8/35	6.8	3000	35	0.025		8000	
MF75 8/32	8	3200	32	0.028		6800	
MF75 10/30	10	3200	30	0.030		6800	
MF75 12/28	12	3200	28	0.033		6800	
MF75 15/25	15	3200	25	0.040		6800	
MF75 18/22	18	3200	22	0.055		6800	
MF75 20/20	20	3200	20	0.065		6800	

 注: 若非特别指出, R₂₅的允许偏差为±20%
 Note: Unless otherwise specified, the allowable tolerance for R₂₅ is ±20%.